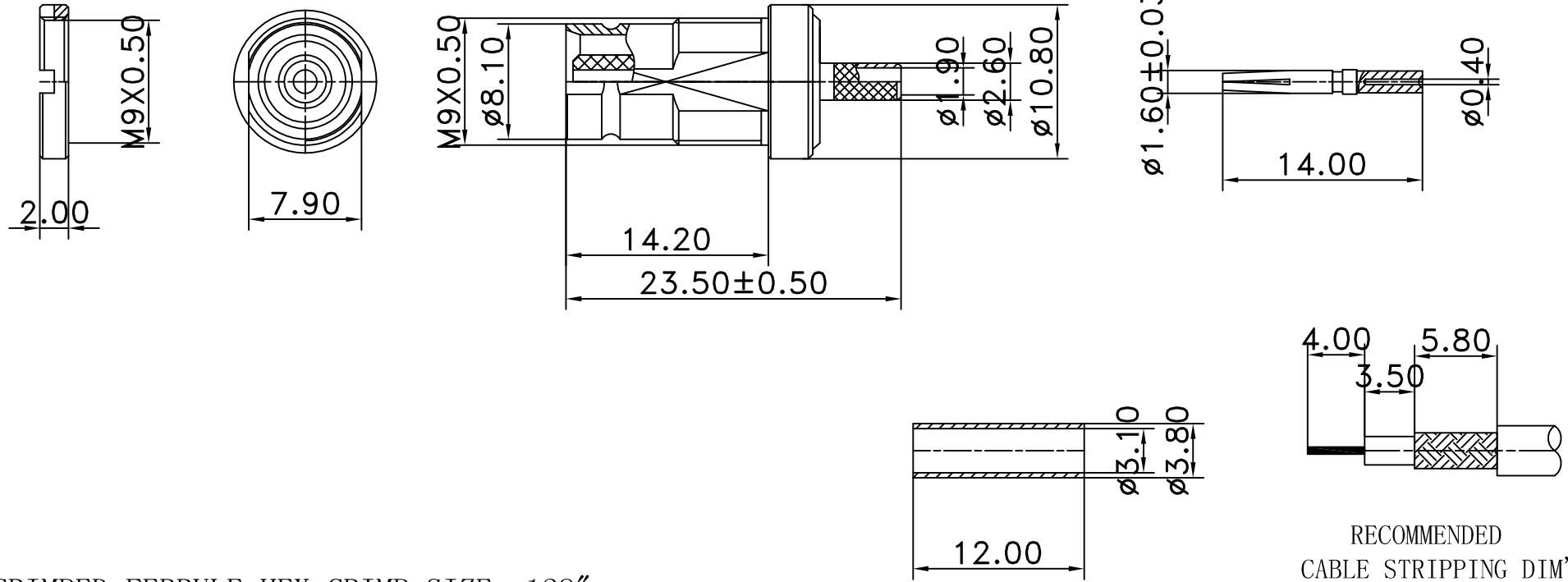


ROHS Compliant

REVISIONS				
RevNo	Description	Date	Revision	Mender
1				
2				



1. CRIMPED FERRULE HEX CRIMP SIZE .128"
2. CRIMPED CONTACT PIN SQ CRIMP SIZE .042"

ITEM	DESCRIPTION	MATERIAL	Q'TY	FINISHED
7	FERRULE	BRASS	1	NICKEL PLATED
6	NUT	BRASS	1	NICKEL PLATED
5	CONTACT PIN	P-BRONZE	1	GOLD PLATED
4	INSULATOR	TEFLON	1	NONE
3	INSULATOR	TEFLON	1	NONE
2	BODY	BRASS	1	NICKEL PLATED
1	BODY	BRASS	1	GOLD PLATED

				TITLE		
				1.6-5.6 FEMALE CRIMP FOR FLEX-2		
DRAWING NO.	成品图	UNITS	MM	UNLESS OTHERWISE SPECIFIED TOLERANCES:	DESIGNED	<i>Xwj</i>
		SCALE	FIT		0.5-15 = ±0.15	DRAWING
MODEL NO.	S3112-FLEX2			15-30 = ±0.30	CHECKED	<i>David</i>
PART NO.		EDITION	A1	30-120 = ±0.60	APPROVED	<i>Andy</i>
CAD FILE	Yin sheng/Yifaxing/S/S3112			>120 = ±1.00	PUBLISH DATE	2003/09/25
					3RD ANGLE	