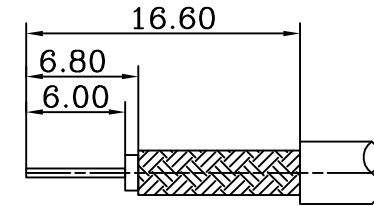
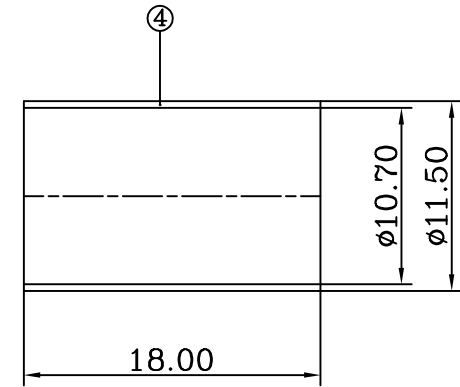
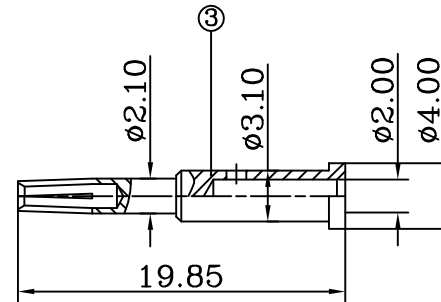
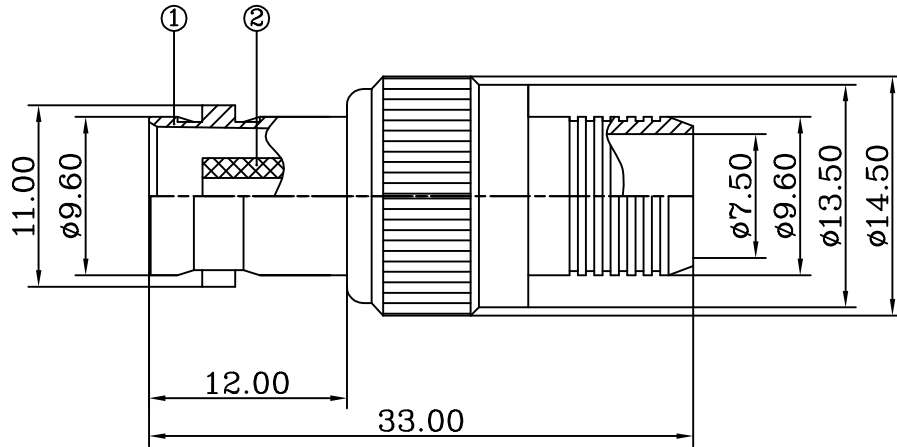


ROHS Compliant



REVISIONS				
RevNo	Description	Date	Revision	Mender
1				
2				



RECOMMENDED  
CABLE STRIPPING DIM'S

1. CRIMPED FERRULE HEX CRIMP SIZE .392"
2. CRIMPED CONTACT PIN HEX CRIMP SIZE .105"

ITEM	DESCRIPTION	MATERIAL	Q'TY	FINISHED
4	FERRULE	BRASS	1	NICKEL PLATED
3	CONTACT PIN	BRASS	1	TIN PLATED
2	INSULATOR	POM	1	NATURAL
1	BODY	BRASS	1	NICKEL PLATED

 YIN SHENG TECHNOLOGY CO.,LTD.				TITLE			
				BNC JACK CONNECTOR			
DRAWING NO.	0120-0112A-502	UNITS	MM	UNLESS OTHERWISE SPECIFIED TOLERANCES: 0.5-15 = ±0.15 15-30 = ±0.30 30-120 = ±0.60 >120 = ±1.00	DESIGNED	CJ	
MODEL NO.	SB073-1C2Z1H0A9	SCALE	FIT		DRAWING	CJ	
PART NO.		EDITION	A1	PUBLISH DATE	APPROVED	Andy	
CAD FILE	Yin sheng/Yifaxing/xx/xxxxx			2015/01/13	 3RD ANGLE		