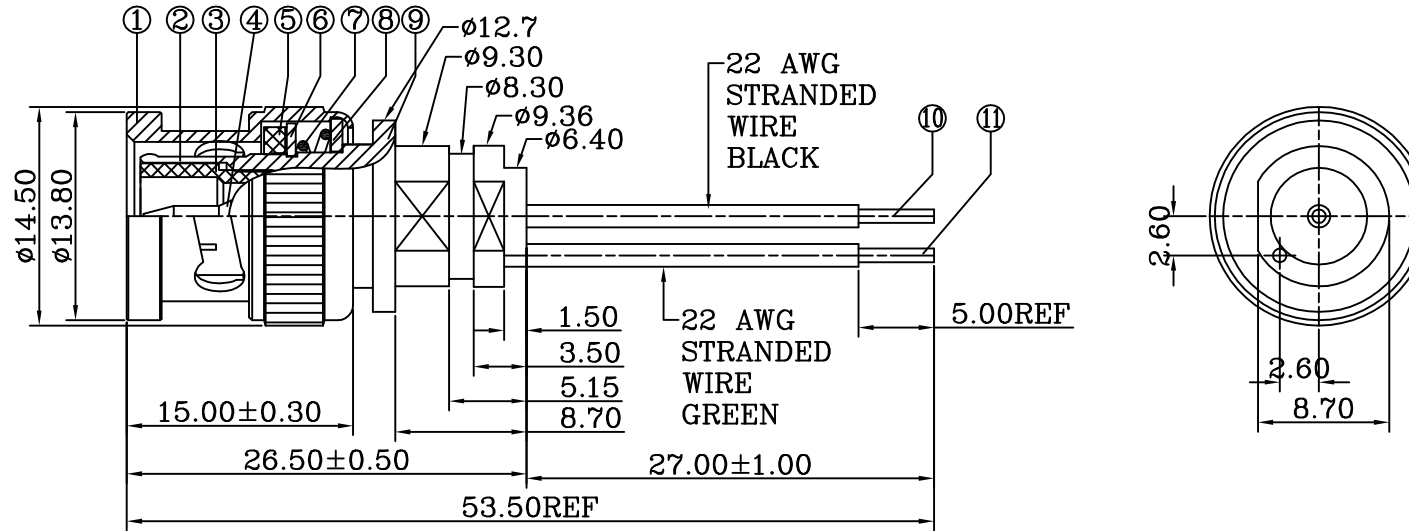


ROHS Compliant

REVISIONS

RevNo	Description	Date	Revision	Mender
1				
2				



NOTES:

- 1.NOMINAL IMPEDANCE: 50 OHM
- 2.FREQUENCY RANGE: 0 ~4 GHz
- 3.MAX PEAK VOLTGE: 500V
- 4.INSULATION RESISTANCE: 5000 MEGOHMS MIN.
- 5.DIELECTRIC WITHSTANDING VOLTAGE: 1500 VOLTS RMS.

11	CABLE 2	22 AWG STRANDED WIRE GREEN		
10	CABLE 1	22 AWG STRANDED WIRE BLACK		
9	INSULATOR	POM	1	NATURAL
8	WASHER	IRON	1	NICKEL PLATED
7	SPRING	65Mn	1	NATURAL
6	RETAINER RING	65Mn	1	NICKEL PLATED
5	GASKET	RUBBER	1	RED
4	CONTACT PIN	BRASS	1	GOLD PLATED
3	INSULATOR	POM	1	NATURAL
2	BODY	BRASS	1	NICKEL PLATED
1	SHELL	ZINC	1	NICKEL PLATED
ITEM	DESCRIPTION	MATERIAL	Q'TY	FINISHED

YIN SHENG COMPANY LTD (ZHONG SHAN)				TITLE		
成品图				BNC MALE PANEL RECEPTACLE EDGE MOUNT		
PART NO.	0121-0112A-356	UNITS	MM	UNLESS OTHERWISE SPECIFIED TOLERANCES: 0.5-15 = ±0.15 ANGLES ±3° 15-30 = ±0.30 30-120 = ±0.60 >120 = ±1.00	DESIGNED	<i>Xwj</i>
MODEL NO.	SB074/4C2Z1B0A0	SCALE	FT		DRAWING	<i>Ckq</i>
DRAWING NO.		EDITION	A1	PUBLISH DATE	CHECKED	<i>David</i>
CAD FILE	Yin sheng/Yifaxing/XXX/XXXX			2010/06/22	APPROVED	<i>Andy</i>
					3RD ANGLE	