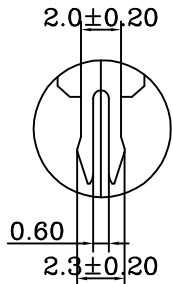
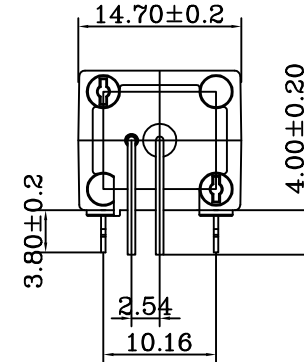
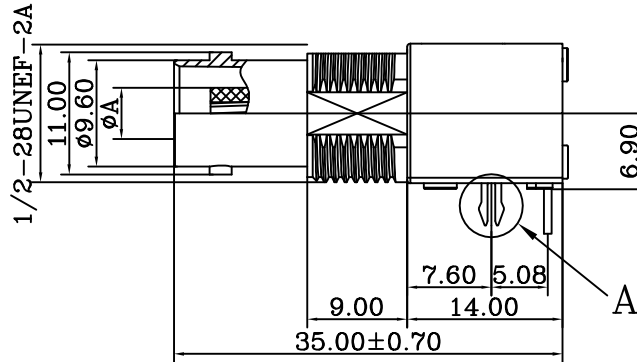
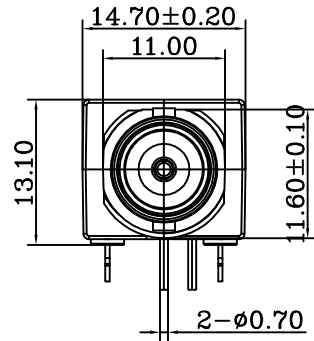
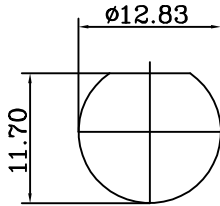


MODEL NO.	MODEL NO.	φA
	SB142B12MB20	φ3.00
	SB142B22MB20	φ4.60

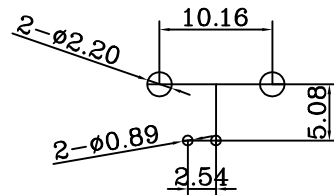
REVISIONS				
RevNo	Description	Date	Revision	Mender
1				
2				



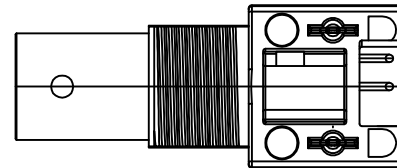
A SCALE(2:1)



RECOMMENDED MOUNTING HOLE



RECOMMENDED PCB HOLE



ELECTRICAL
 IMPEDANCE: 50/75 OHM(±5 OHM)
 FREQUENCY RANGE: 0 ~ 4.0 GHz
 WORKING VOLTAGE: 500 Vrms
 DIELECTRIC WITHSTANDING VOLTAGE: 1500 Vrms
 CONTACT RESISTANCE:
 OUTER CONTACT 1.0 MEG OHM
 CENTRE CONTACT 1.5 MEG OHM
 INSULATION RESISTANCE: > 5000 MEG OHM
 ENVIRONMENTAL
 TEMPERATURE RANGE:-65°C TO 180°C

ROHS Compliant

7	FIXTURE	BRASS	2	TIN PLATED
6	CONTACT WIRE	BRASS	1	TIN PLATED
5	CONTACT WIRE	BRASS	1	TIN PLATED
4	INSULATOR	PP	1	NATURAL
3	CONTACT PIN	P-BRONZE	1	GOLD PLATED
2	INSULATOR	POM	1	NATURAL
1	BODY	ZINC	1	NICKEL PLATED
ITEM	DESCRIPTION	MATERIAL	Q'TY	FINISHED

YIN SHENG COMPANY LTD (ZHONG SHAN)				TITLE			
				BNC JACK PC MOUNT/METAL			
DRAWING NO.		UNITS	MM	UNLESS OTHERWISE SPECIFIED TOLERANCES:		DESIGNED	<i>Xwj</i>
MODEL NO.		SCALE	FIT	0.5-15 = ±0.15	ANGLES ±5°	DRAWING	<i>NQ</i>
PART NO.		SEE TABLE		15-30 = ±0.30		CHECKED	<i>David</i>
CAD FILE		EDITION	A1	30-120 = ±0.60		APPROVED	<i>Andy</i>
		Yin sheng/Yifaxing/SB/SB142		>120 = ±1.00		PUBLISH DATE	
				2010/04/10		APPROVED	
						3RD ANGLE	