

Electrical:

Impedance: 50 OHMS±10

Frequency Range: 0 ~ 12.4 GHz

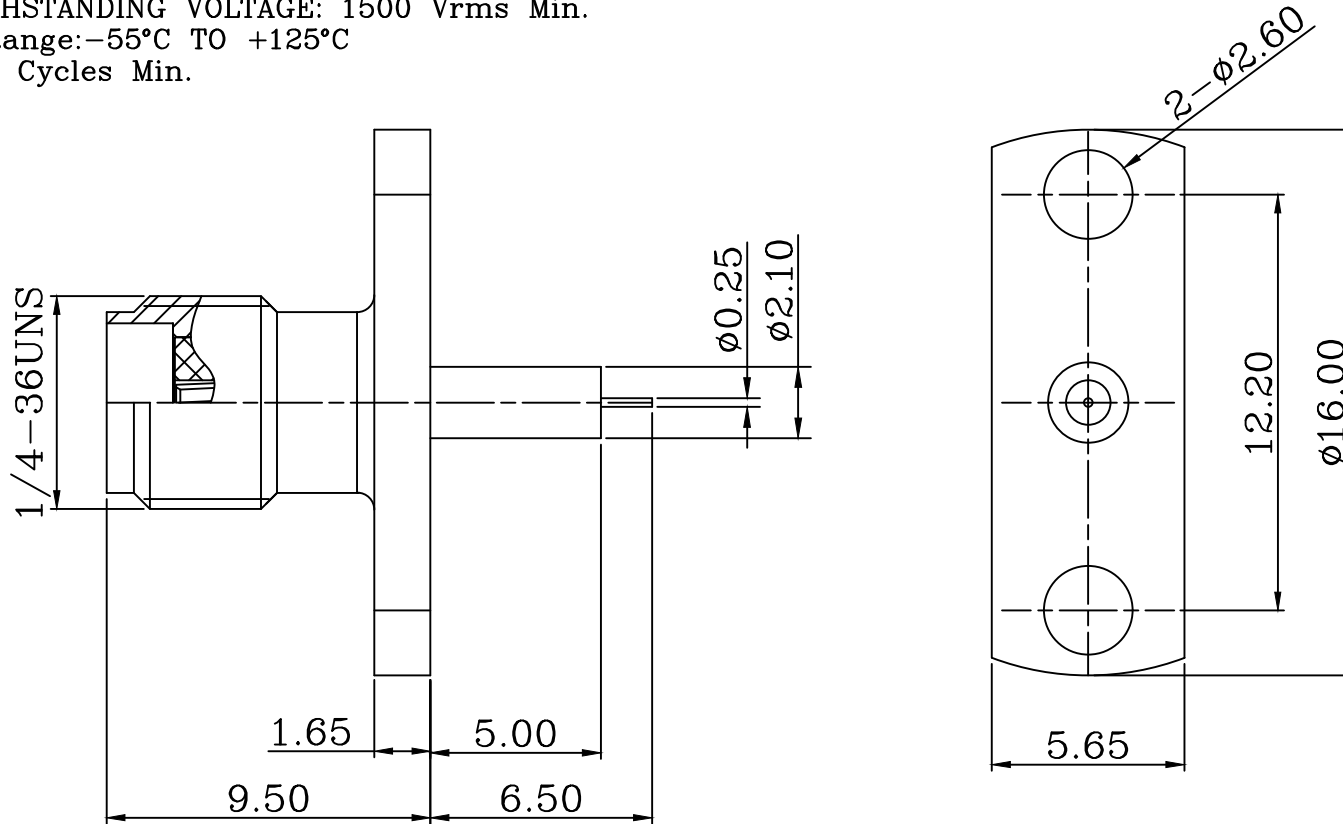
WORKING VOLTAGE: 335 Vrms Max.

DIELECTRIC WITHSTANDING VOLTAGE: 1500 Vrms Min.

Temperature Range: -55°C TO +125°C



Durabiuty: 500 Cycles Min.

REVISIONS				
RevNo	Description	Date	Revision	Mender
1	Rejigger dimension 3.2 to 5.0,4.45 to 6.5	2019-7-24	A2	CJ
2				



ROHS Compliant

3	CONTACT PIN	Be,Cu	1	GOLD PLATED
2	INSULATOR	TEFLON	1	NATURAL
1	BODY	BRASS	1	GOLD PLATED
ITEM	DESCRIPTION	MATERIAL	Q'TY	FINISHED

 <b>YIN SHENG TECHNOLOGY CO.,LTD.</b>				<b>TITLE</b> SMA JACK FOR PANEL RECEPTACLE			
成品图		UNITS	MM	UNLESS OTHERWISE SPECIFIED		DESIGNED	CDR
DRAWING NO.		SCALE	FIT	TOLERANCES:		DRAWING	CDR
MODEL NO.		SSA1105-3/1B20Z6BOAO		0.5-15 = ±0.15		CHECKED	David
PART NO.		EDITION	A1	15-30 = ±0.30		APPROVED	Andy
CAD FILE		Yin sheng/Yifaxing/SMA/SSA1105		30-120 = ±0.60		 3RD ANGLE	
				>120 = ±1.00			
				PUBLISH DATE		2019/07/05	